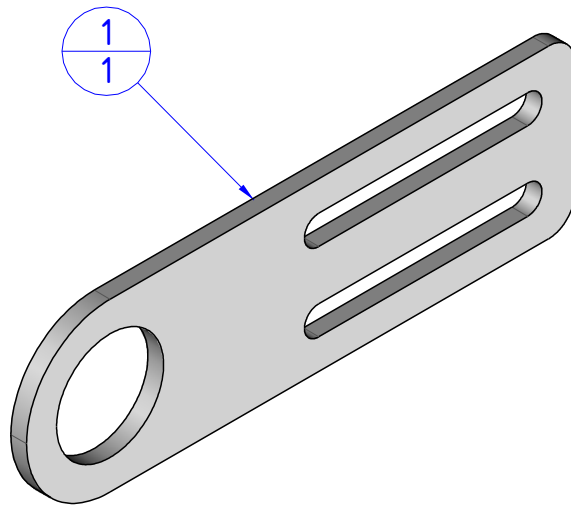
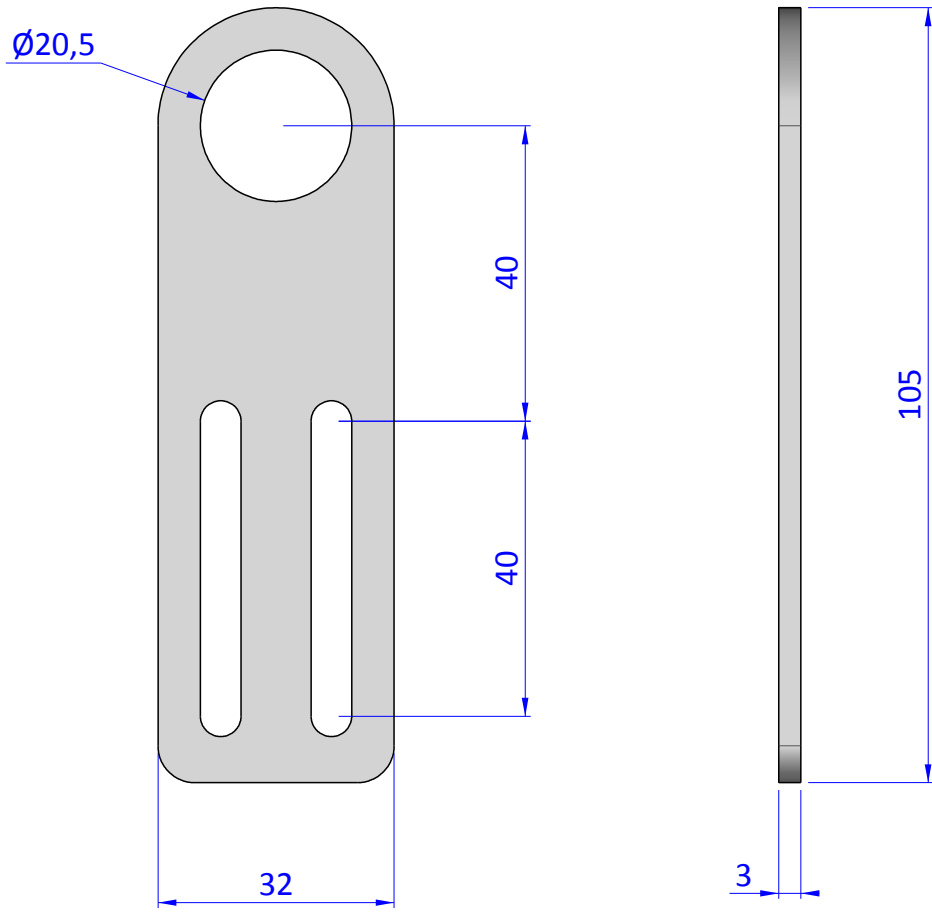


THE PROPERTY OF THE DRAWING IS ESTABLISHED BY LAW. IT IS FORBIDDEN TO PRODUCE OR SHOW IT TO THIRD PART. WITHOUT A WRITTEN AGREEMENT.

Item	Name	Q.ty
1	SCM.20	1



Format A4 UNI 936-76	<b>FP SERVICES</b> AUTOMATION			DESIGNED FROM <b>FPSERVICES</b>	REVIEW <b>A</b>
	GENERAL TOLERANCE UNI - ISO 2768 CLASSE f	DESCRIPTION <b>CA.SCM.20</b>		DATE 13/04/2018	WEIGHT 0,057kg
				CODE <b>CA.SCM.20</b>	